

# POWER YOUR FUTURE

## Cummins Generator

### LG54C

# 4BTA3.9-G2

Prime Power: 54KW/68KVA

Standby Power: 60KW/75KVA



## GENERATING POWER SOLUTIONS

### Increased availability for new operations

Reliable, robust and versatile generator.  
Ready to deliver power for a next job.

### Increased uptime during operations

Once installed on the end-user-site, the generator will be ready to run: "peace of mind" operation.

### Reduced transport and installation costs

The compact and robust design with integrated transport features enables faster and safer transport and installation.

### Reduced service & maintenance costs

Longer service intervals.  
Quicker and more efficient service jobs.

### Premium resale value

Designed and built to last.

### SAFETY

- Operate safely in accordance with proper operation manual.
- To prevent trouble and accidents, perform daily and preventive maintenance checks without fail.

## Cummins Series 60HZ

25KVA--1400KVA

## Technical Data

LG54C

Model		LG54C
Rated prime power	kva	68
Rated standard power	kva	75
Rated voltage line to line	V	220/127
Rated current	A	177
Maximun sound level	dB(@7m)	96

### Engine-DCEC Cummins

Model	4BTA3.9-G2	
Aspiration	Turbo, Water/Air DC	
Fuel system	AD type	
No. cylinders	4 in line	
Displacement	Liquid	3.9
Bore*Stroke	mm	102*120
Compression ratio	16.5	
Rated speed	r/min	1800
Rated net power(with fan)	Kw	60
Governor type	Electrical	
Start Motor	V	24

### Exhaust System

Exhaust gas flow	m <sup>3</sup> /min	14.8
Exhaust gas temp	°C	497
Max back pressure	kPa	10

### Aspiration System

Max inlet pressure	kPa	6.2
Combustion volume	m <sup>3</sup> /min	5.9
Air flow	m <sup>3</sup> /min	158

### Fuel System

100% load(Prime power)	L/h	13.1
75% load(Prime power)	L/h	9.8
50% load(Prime power)	L/h	6.7
Fuel tank capacity	L	145

### Lubrication System

Oil capacity	L	16.4
Oil consumption	g/kwh	≤4
Oil pressure	kPa	350

(continuous operation)

### Cooling System

Coolant capacity	L	24
Thermostat operation range	°C	83-95
Max water temperature	°C	100

### Alternator

Model	LK224E
	STAMFORD UCI224E
Phase	3
Voltage	V 220/127
Wiring Type	3 Phase 4 wire, Y type
Bearing	1
Power factor	0.8
Frequency	Hz 60
Prime power	KVA 70/75
Exciter Type	Brushless, self-excitation
Voltage regulation	% ±0.5
Protection Grade	IP 23
Insulation grade	H/H
Altitude	m ≤1000

### Controller-DEEPSEA

Model	DSE6120
-------	---------

Protective functions:

- Low oil pressure
- High water temperature
- High/low voltage
- High Engine Temperature and Overspeed.
- Voltage regulator frequency regulator
- Emergency stop
- Start failure



### Control Module Options



- Auto generator control module
- Control module with "Three Remote Control" functions
- ATS auto load transfer screen
- Synchronising control modules
- Power output cabinet

## Standard Features

- Engine(DCEC Cummins)
- Radiator 50°C max,fans are driven by bel
- 24V charge alternator
- Alternator: single bearing alternator IP23, insulation class H/H
- Standard auto control system
- One set of air filter, fuel filter, oil filter
- Main line circuit breaker/MCCB
- Base fuel tank
- Two 24V batteries, rac and cable
- Exhaust system(Ripple flex exhaust pipe, exhaust siphon, flange, muffler)
- User manual

## Options

- Battery charge
  - Engine heater
  - Alternator heater
  - PMG
  - Water oil separator
  - Daily fuel tank
  - Remote control panel
  - Automatic transfer switch/ATS
  - Switch box
- Standard: ●                      Options: ○

## Warranty\*

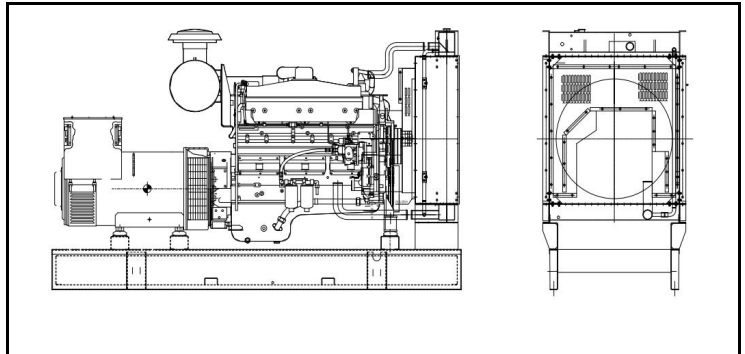
### Cummins Engine

12 months from date of purchase and 1000 hours.

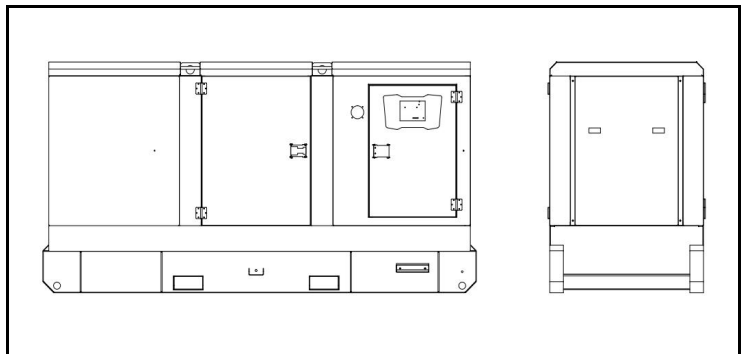
### Generator

12 months from date of purchase or 1000 hours (whichever occurs first).

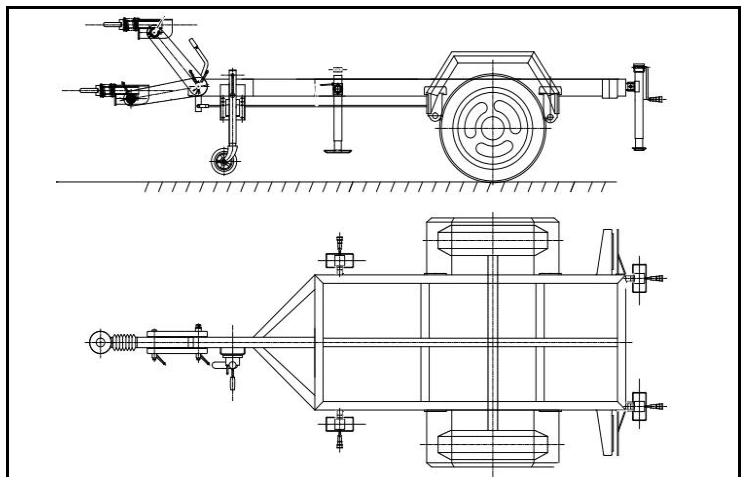
## Unit Dimensions(Basic unit)



<b>Open Type</b>		
L*W*H	mm	1900*800*1280
Weight	kg	900



<b>Silent Type</b>		
L*W*H	mm	2480*1000*1400
Weight	kg	1300



<b>Trailer Option</b>		
L*W*H	mm	3400*1750*950
Max loading weight	kg	1300